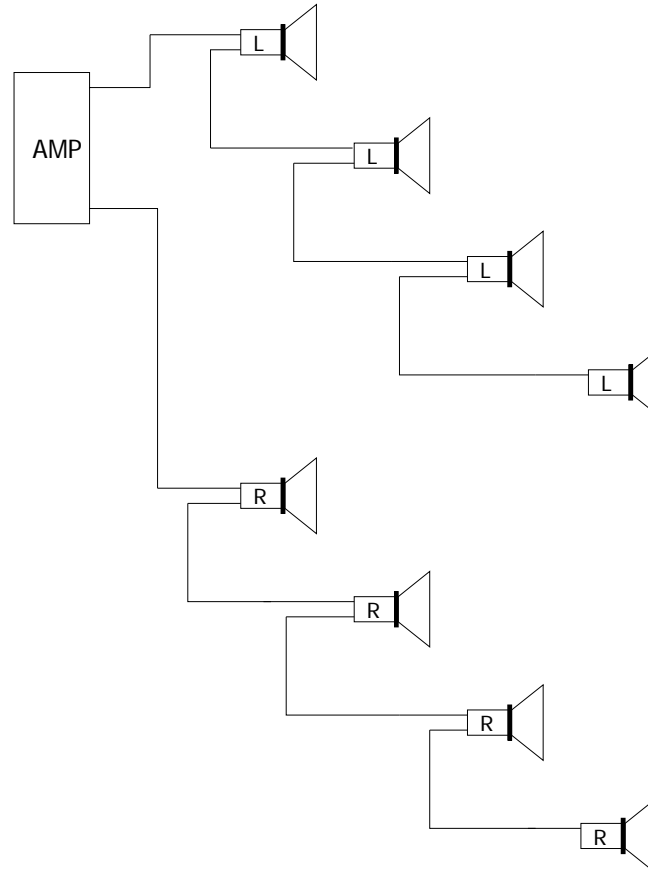


This is a switched stereo speaker layout where each room has a left and right speaker. Audio is on in one room at a time. The switching may be a part of the Amp such as Speaker A B or C. There may be a switching system outside the amp. If the amp or switch allows more than one room then this should work when a new room is added.

Basic Home Stereo multi room setup



In this configuration the speakers are connected in parallel - when connected this way it is necessary to use either a 25V or 70V output on the amp and to have matching transformers on each speaker. With this configuration all speakers are on all of the time - there can be volume controls on each speaker connected to the 8 ohm side of the transformer or there can be transformer type volume controls connected to the line.